

# Wibemo - Extenso collets

## Carbide Extenso collets



### Advantages :

- Extended nose for easier pick-off
- Rapid availability
- Carbide assures low wear and longer life of your collets

### Specialities

- Special production from your drawings
- Fine slots for small parts diameter
- Mirror polished lapping on request
- Available with or without extractors
- UP+ quality
- Don't hesitate to contact us for any requirement.



### An efficient solution for optimal clamping without marking your parts.

- The guarantee of a careful and perfect grip
- Reduces clamp marks and damage on your parts
- Does not stick, for damage-free extraction
- Reduces production costs

For the perfect control of the machining of your very high precision parts, such as components for watch-making or medical applications in 316L stainless steel or titanium.

Necessary for your high added value parts and whenever your requirements for quality and impeccable visual appearance are essential.

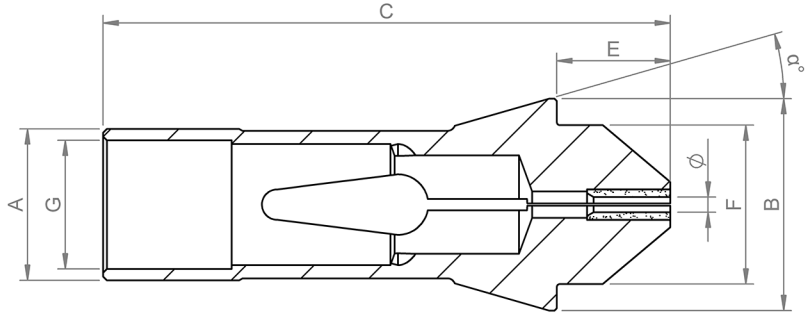
The properties of carbide avoid harming your parts and reduce the risks of damaging delicate surfaces when clamping or during extraction.

Thanks to UP (Ultra Precise) quality, EXTENSO collets enable delicate and precise counter-spindle clamping. They assure longer duration, less adjusting and considerably reduce waste. They are the indispensable element for reducing your production costs and enable gains in productivity.

- UP precision for a grip that is perfectly adjusted to the clamping diameter
- Ultra precise clamping assures the perfect grip of the part.

# Wibemo - Extenso collets

## Carbide Extenso collets - Technical devices



Item No	Type	EC Norm	A	B	C	E	F	G	$\alpha^\circ$
<b>Carbide Extenso</b>									
300-577-10-Ø	F8/577 (LN10)	101E	8.00	12.00	47.50	10.00	8.00	M6x0.50	16°
300-86-10-Ø	F10/86 (LN10)	109E	10.00	15.50	52.00	10.00	10.00	M8x0.50	20°
300-86-12-Ø	F10/86 (LN12)	109E	10.00	15.50	54.00	12.00	10.00	M8x0.50	20°
300-357-12-Ø	F13/357 (LN12)	116E	13.00	19.00	70.00	12.00	13.00	M11x0.75	16°
300-580-13-Ø	F15/580 (LN13)	120E	15.00	21.00	71.00	13.00	15.00	M12x0.75	16°
300-580-18-Ø	F15/580 (LN18)	120E	15.00	21.00	76.00	18.00	15.00	M12x0.75	16°
300-1076-13-Ø	F16/1076 (LN13)	1212E	16.00	21.00	71.00	13.00	16.00	M14x0.75	16°
300-87-15-Ø	F20/87 (LN15)	138E	20.00	28.00	75.00	15.00	21.00	M18x1	16°
300-87-20-Ø	F20/87 (LN20)	138E	20.00	28.00	80.00	20.00	21.00	M18x1	16°
300-201-13-Ø	F20/201 (LN13)	136E	20.00	26.00	62.00	13.00	19.00	M18x1	15°
300-71-18-Ø	F22/71 (LN18)	140E	22.00	30.00	67.00	18.00	21.00	M20x1	15°
300-64-18-Ø	F25/64 (LN18)	145E	25.00	35.00	85.00	18.00	27.00	M22x1	16°
300-101-20-Ø	F30/101 (LN20)	1446E	30.00	38.00	79.00	20.00	32.00	-	15°
300-94-27-Ø	F35/94 (LN27)	163E	35.00	48.00	99.00	27.00	38.00	-	15°
300-2013-27-Ø	F35/2013 (LN27)		35.00	43.00	90.00	27.00	34.00	-	15°
300-740-25-Ø	F37/740 (LN25)	1536E	37.00	47.00	107.00	25.00	40.00	-	16°